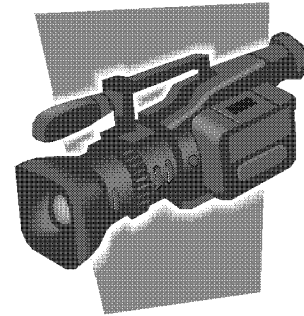


Public Access Community Television

The Public Access Community Television Committee (PACT) exists to ensure that the Franchise Agreement between the Town of Chester and Comcast effective April 1, 2003 through March 30, 2013, operates without incident, and to manage the funds received from Comcast as a result of this agreement. Since April 1, 2003, the Town continues to receive franchise fees of subscribers' cable bills (cable TV only, not cable internet per the FCC) in the amount of 1% quarterly. This money is reserved in a special revenue fund, the PACT Fund, and is delegated in thirds, for the maintenance of Public (CTV-21) and Government (CGTV-20), and Education (CETV-22) television.



The PACT committee meets as needed to review the needs presented to them by CGTV-20, CTV-21, and CETV-22. The Town government meetings are cablecast live on CGTV-20 and then repeated. CTV-21 offers programming produced locally by CTV-21 as well as pre-recorded programs received from outside sources, and from our membership in the New Hampshire Coalition for Community Media (www.nhccm.com). CETV-22, the Education Channel provides pre-recorded programming, and the monthly School Board Meeting. Their portion of the PACT fund supports equipment expenses that they incur throughout the year. Since the current franchise agreement of April 1, 2004 all equipment purchased from PACT funds are the property of the town of Chester, and not exclusive to the Chester School District.

This year PACT has found it necessary to make upgrades to our equipment in anticipation of making our programming totally digital. We replaced the computer for the digital editing suite, and recycled a 6 year old computer for the on air calendar generator. We purchased battery back up units to protect all our equipment from the "pesky" occasional power outages that are just enough to shut off the equipment located at 84 Chester Street. The studio is now tied into the Town's new generator for emergency purposes which will enable the local channels to continue to broadcast out through the Comcast system. This year, the PACT has purchased a new digital "Tightrope" network to allow us to digitally record all government meetings for immediate playback on CGTV-20, as well as streaming them to the Town Website for "On-Demand" viewing.

This upcoming year we have increased the budget to allow purchase of a second Tightrope System for CTV-21, and cable internet access to allow the streaming to happen. We will also budget for hourly pay to an individual to coordinate all programming for the three channels, 20, 21, and 22. Other expenses are been repayment to the General Fund of telephone, heat and electricity for the CGTV-20 & CTV-21 Studio. All expenses for Public Access Television in Chester are supported through franchise fees, and have no tax impact.

With all the preliminaries said, we suffered a huge loss this year with the passing of Mr. Dick Godfrey. Dick was the glue that held CGTV-20 and CTV-21 together for the past 13 years. Dick and Marge together kept the calendar up to date, and much of the local programming was due to their love of travel, and their foresight in recording their travels. Dick was the king of analog video editing! Although we were fortunate to have a state of the art digital editing suite, Dick was most comfortable, and obviously most productive with the linear (analog) suite, for he produced 90% or more of all programming that came out of Chester cable over those 13 years! He interviewed notables such as Ms. Muriel Church, and Mrs. Evelyn Noyes, and compiled

programs about everything from the Erie Canal System to Ice harvesting in New Hampshire. And Dick was the first and last face you saw at the Annual Town Meeting, either setting up or breaking down our equipment. Dick helped me to create and produce my earlier cooking show, and he taught me how to edit (analog of course), allowing me to edit my own shows, and other shows produced over the years. When we acquired the digital editing suite, I was able to embrace the technology much faster as a result of what he initially taught to me. One of these days I may find the time to resurrect my cooking show, but it will never be the same without Dick huddled in the corner at the end of my tiny kitchen, recording and making it look a lot bigger than what it was and still is.

Dick also kept the cable volunteers grounded. He kept the programming current and was always available to help record local events and shows, either at Stevens Memorial Hall, The Chester Congregational Baptist Church, the Town Fair, Memorial Day and Veterans Day Events, and so much more. Dick and Marge were our representatives to the New Hampshire Coalition for Community Media, went to every monthly meeting from its inception, helped to bring the programming produced by other members to Chester, and kept us informed of the changes within the Public/Educational/Government (PEG) community. The amount of work that Dick performed on behalf of the town as a volunteer will never be matched by one individual. It will take a team of volunteers to continue with Dick's legacy. To Dick, we salute you, we miss you, and you are with us whenever we walk into the studio! To Marge, thank you for allowing Dick to be our guide through the years, and with your help, making Public Access Community Television in Chester so popular, and so necessary!

Public Access Community Television in Chester always welcomes new volunteers, and we really need your help. The Town Meeting is forthcoming, and we invite you to help make it an annual cablecast success! The meeting will begin at 9AM on Saturday, May 13, and we will need help in setting up, and monitoring cameras. Give us a call if you have a few hours to spare!

If you have an idea for a local program, we are open and always happy to guide you through the basic steps to create your own Television Programs. Some of you *videophiles* may already have an editing package on your home computers. Please share your "home movies" of an event that you have recorded, or even your summer vacation. Please remember that Chester Public Access is for the residents of Chester and that Public Access Television is made from the local community. If you need some help editing, we will help you. If it is a finished program, we will accept it on a finalized DVD for replay. If you would like to see a program cablecast at an earlier time, or from another town, please let us know. You may contact us at 887-2288, or email pegtalk@chesterpublicaccess.org. We also have a request form that you can pick up at the Chester Town Office Building in the lobby, or access on line at chesterpublicaccess.org.

Finally, if you have a concern or issue with Comcast please send an email to pegtalk@chesterpublicaccess.org. Please note the time, date, and what the issue you are experiencing is. We will then forward it to the proper Comcast personnel.

Respectfully,
Hilary Hall - Chairperson
PACT Committee
Bob Grimm - Co-Chair
Lenny Stein, Technical Advisor